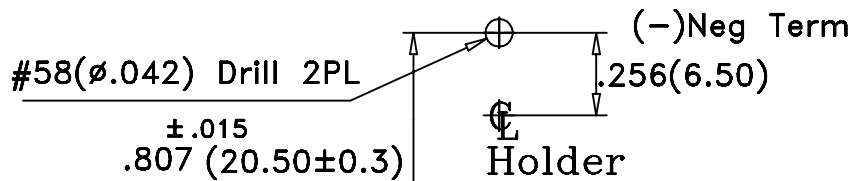
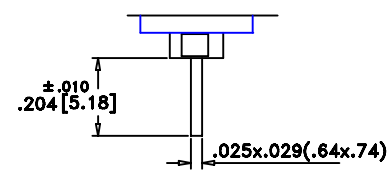
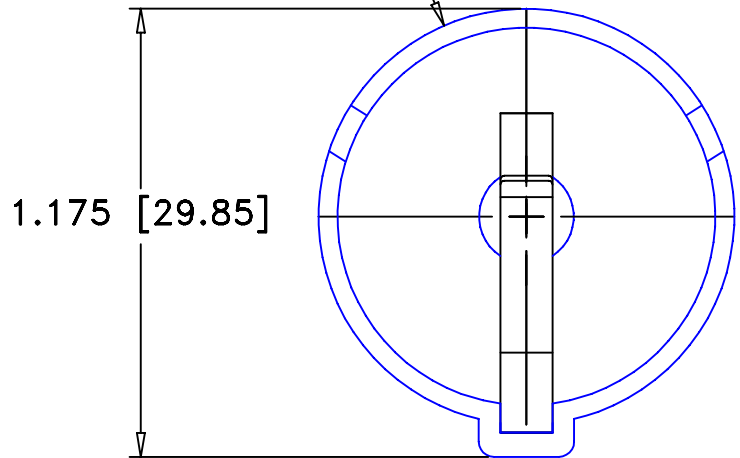


PCB LAYOUT

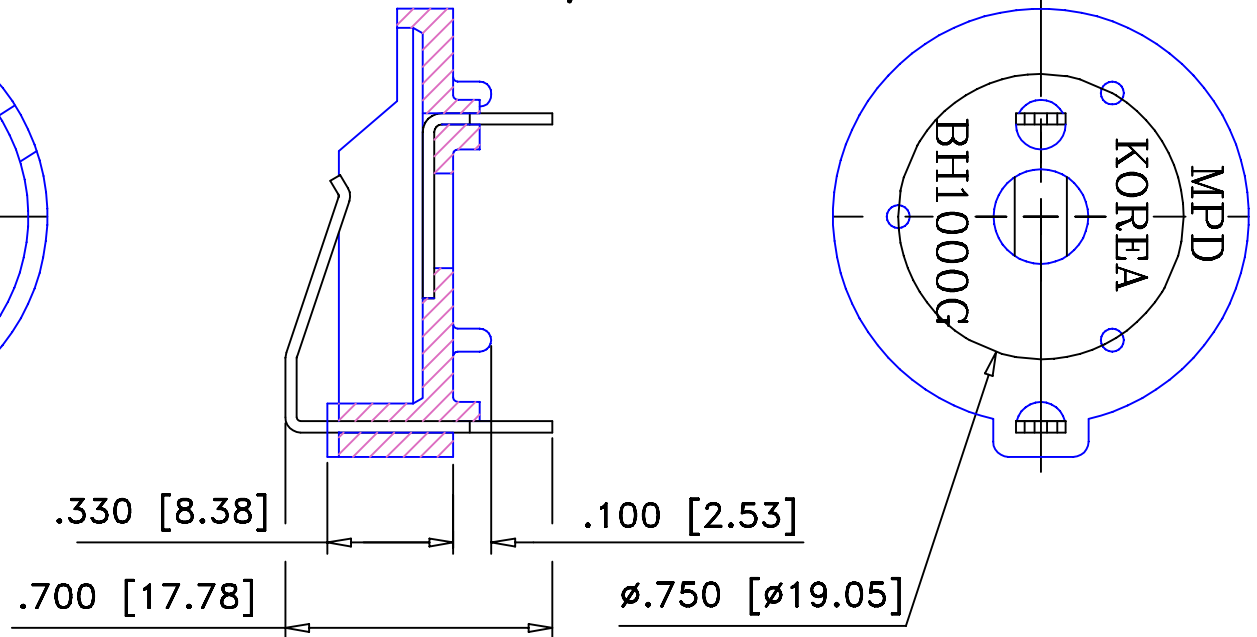
Date	SYM	REVISION RECORD	AUTH	DR.	CK.



ø1.090 [ø27.69]




SQUARE CONTACT DETAIL



SPECIFICATIONS

- \*Holder material—thermoplastic, black PBT
- \*Flammability rating—UL94V-0, File No.88499(M)
- \*Contacts—302 spring temper stainless steel nickel plated overall
- \*Dielectric strength—560volts/mil at 25°C for 5seconds
- \*Temperature range— -55° to +180°C
- \*Resistance to solvents—Xylene,ethyl,butyl,methyl&proptl alcohol;ethyl acetate,heptane;toluene;refrigerant

Tolerance (Except as noted)	 <b>Memory protection Devices, Inc</b> 200 Broad Hollow Road, Farmingdale, New York 11735		
decimal ±.5 (.020)		Scale 4=1	Drawn By T.S. Approved By T.B.
Fractional ± .8 (.030)	Title CR 2477 COIN BATTERY HOLDER		
Angular ± 3°	Date 10/25/00	Drawing Number BH1000G	