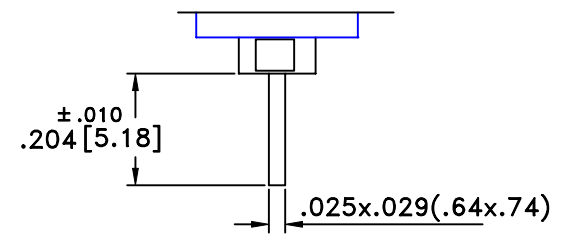
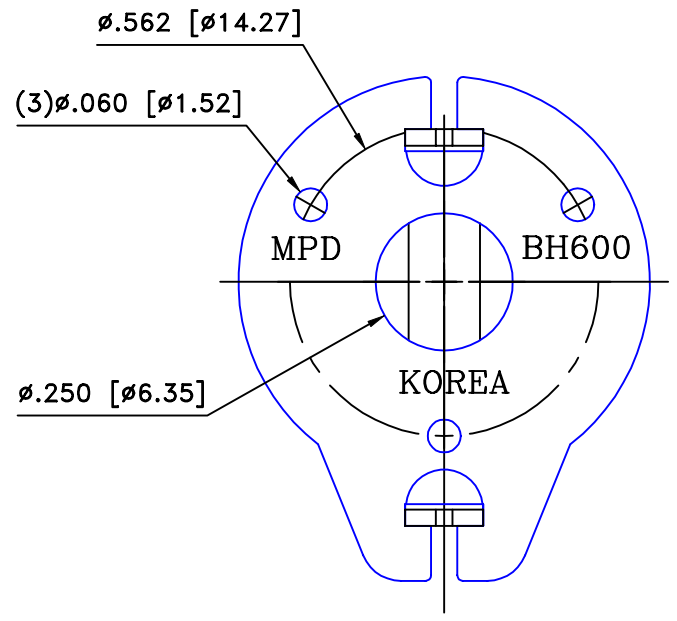
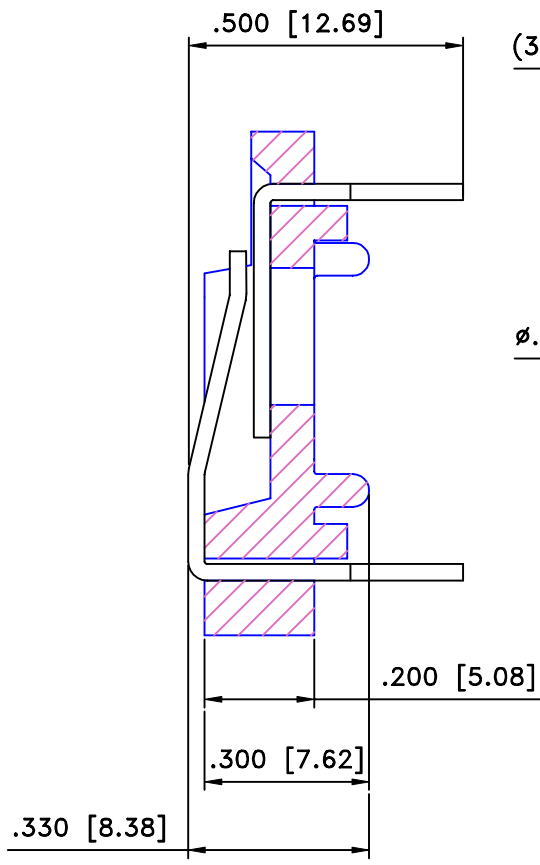
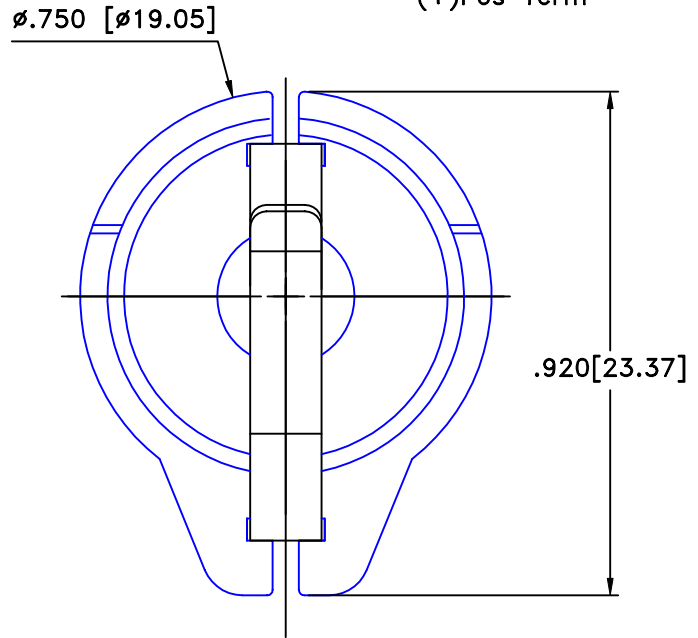
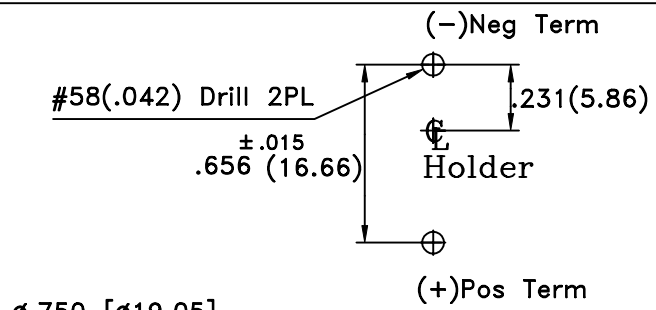



Date	SYM	REVISION RECORD	AUTH	DR.	CK.



Square Contact Detail

SPECIFICATIONS

- *Holder material—thermoplastic, black PBT
- *Flammability rating—UL94V-0, File No.88499(M)
- *Contacts—302 spring temper stainless steel nickel plated overall
- *Dielectric strength—560volts/mil at 25°C for 5seconds
- *Temperature range— -55° to +180°C
- *Resistance to solvents—Xylene,ethyl,butyl,methyl&proptl alcohol;ethyl acetate,heptane;toluene;refrigerant

Tolerance (Except as noted)	 Memory protection Devices, Inc 200 Broad Hollow Road, Farmingdale, New York 11735		
decimal $\pm .5$ (.020)		Scale 4=1	Drawn By T.S. Approved By T.B.
Fractional $\pm .8$ (.030)	Title BR/CR/DL 1620/1632 COIN BATTERY HOLDER		
Angular $\pm 3^\circ$	Date 10/24/00	Drawing Number BH600	