



Thionyl Chloride Lithium Battery (Li/SOCl₂)

ER3 (910mAh)

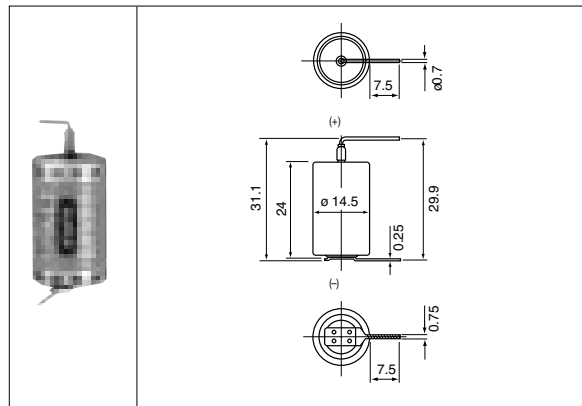
THIONYL CHLORIDE LITHIUM BATTERY

Thionyl Chloride Lithium Battery (Super Lithium Battery)

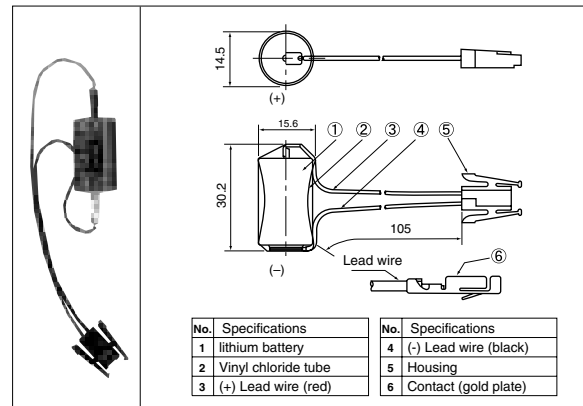
ER3

External dimensions (unit: mm)

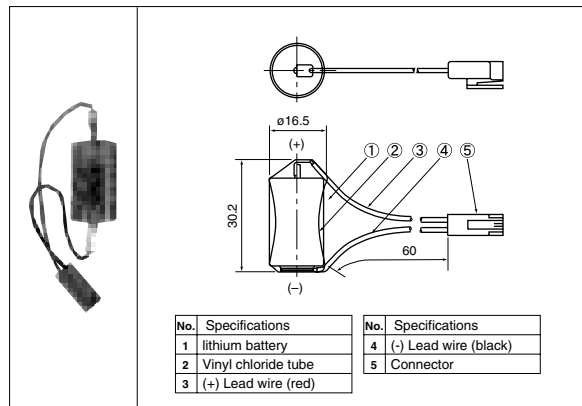
ER3#2C



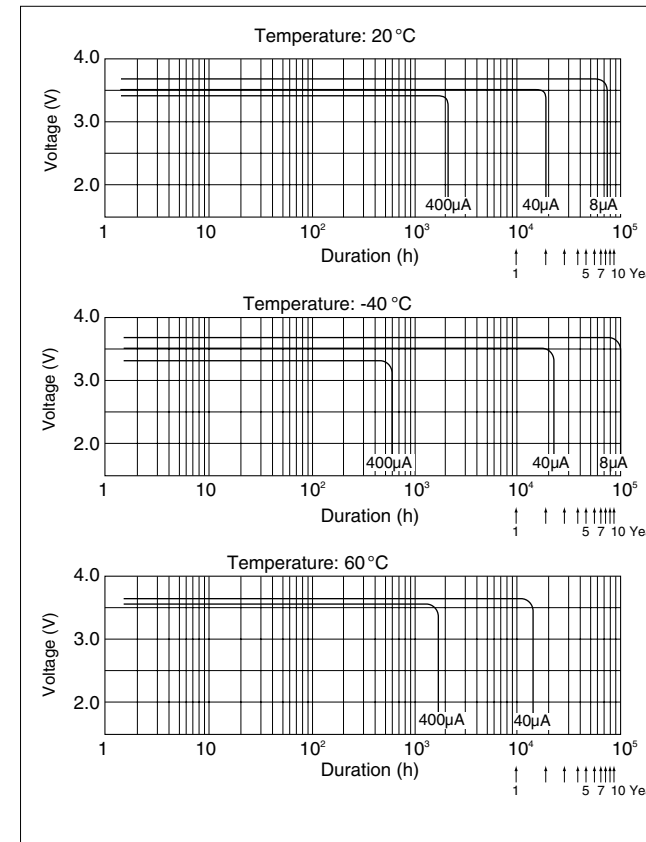
ER3WK



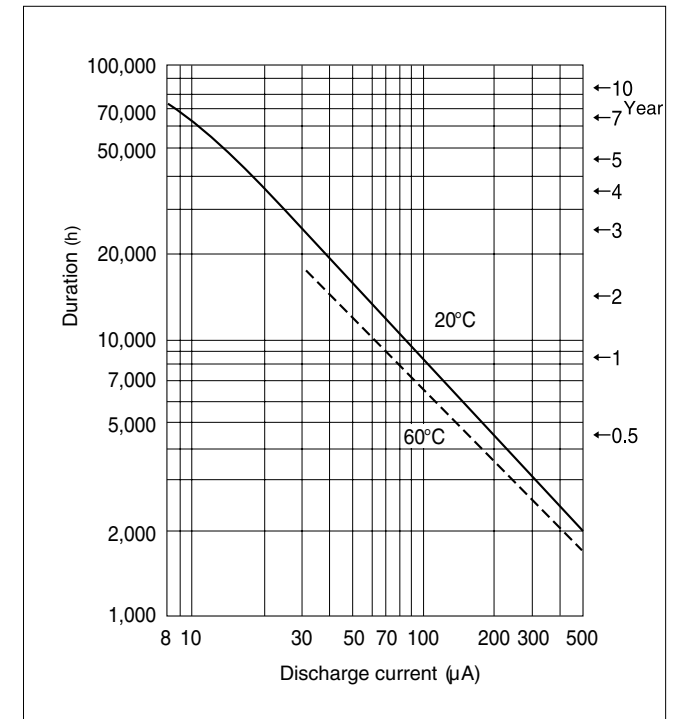
ER3WK2



Discharge Characteristics



Relationship between Discharge Current and Duration



Storage Characteristics

