



# Drypower

3.2V

2.0Ah

LiFePO<sub>4</sub>

6.4Wh

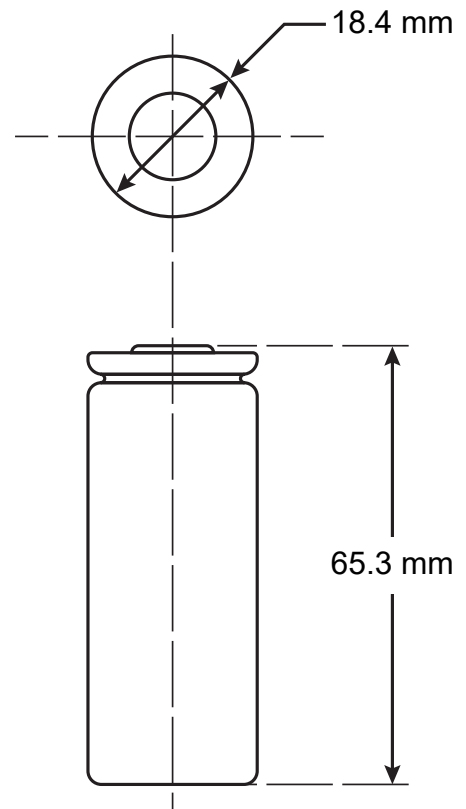
## IFR18650-2000

Rechargeable Lithium Iron Phosphate Battery

### SPECIFICATIONS

<b>Nominal Voltage</b>	3.2V
<b>Nominal Capacity</b>	2000mAh
<b>Watt-hour</b>	6.4Wh
<b>Cycle Life (Capacity ≥80%)</b>	≥1500 cycles
<b>Charge Current</b>	
Standard	1000mA (0.5C)
Max	3000A (2C)
<b>Charge Cut-off Voltage</b>	3.65±0.05V
<b>Discharge Cut-off Voltage</b>	2.0V
<b>Discharge Current</b>	
Standard	1000mA (0.5C)
Max continuous	6000mA (3C)
Max pulse	10,000mA (5C) <i>Cycle repeat twice for 5s</i>
<b>Internal Resistance</b>	≤25mΩ
<b>Operating Temperature</b>	
Charge	0°C ~ +45°C
Discharge	-20°C ~ +60°C
Storage (<3 months)	0°C ~ +25°C
Storage (<12 months)	-20°C ~ +25°C
<b>Dimensions</b>	
Diameter (D)	18.4mm
Height (H)	65.3mm
<b>Weight</b>	≤45g

### DIMENSIONS



Performance may vary depending on application. All specifications are correct at time of creation. All specifications and operation conditions contained in this datasheet are subject to change or improvement without prior notice to the user. This data is for evaluation purposes only. No guarantee is intended or implied by this data. For clarification and updated information, please contact us • May2024