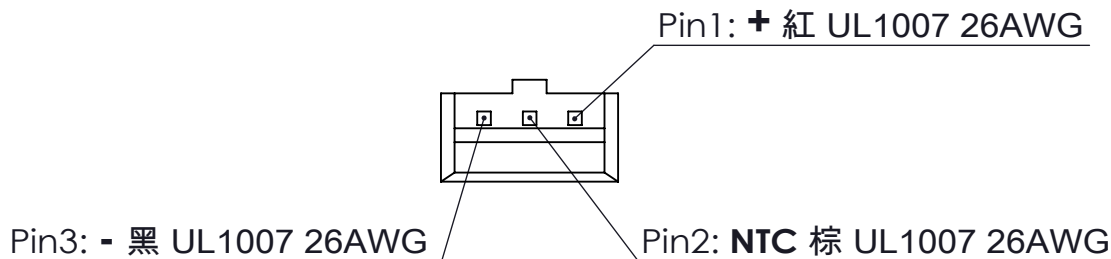
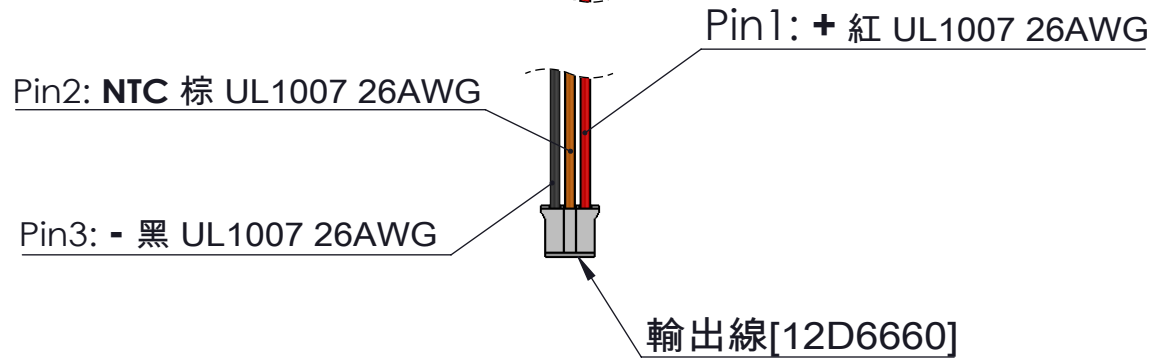
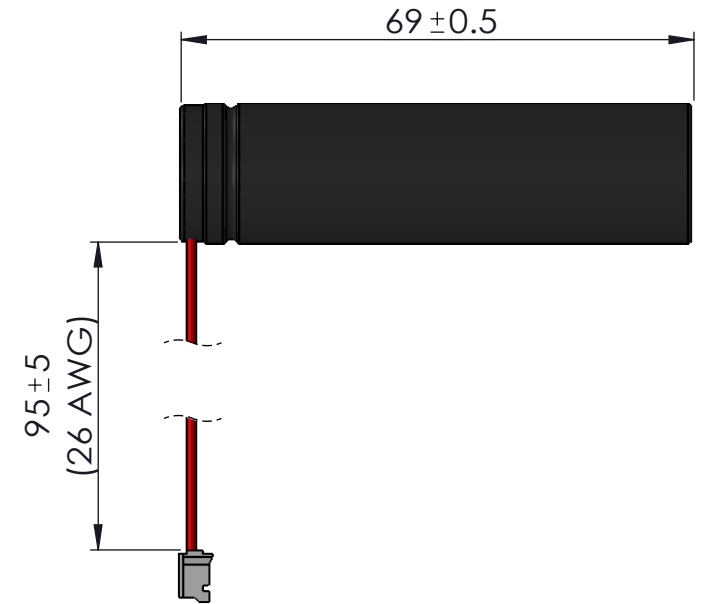
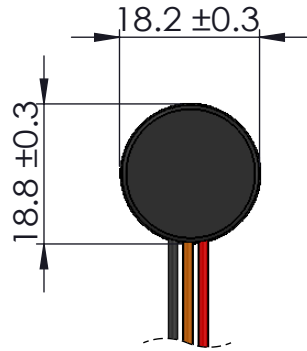


Model: BML0101BFP
 Specification: NCR18650BF
 Connector: PHR-3
 Terminal: SPH-002T-P0.5S
 PCM: 1S-11B(內含NTC)
 符合RoHS

Rev	Date	Instruction	Revised
A	2024/4/29	正式發行	Nick



		Part No.: 7120835	
		Description : BML0101BFP半成品加工	
DIMENSIONAL TOLERANCES 0 ~ 30 ± 0.1 30 ~ 100 ± 0.15 100 ~ 300 ± 0.2 > 500 ± 0.25		DRAWING METHOD Unit mm REV. A	Design Nick 2024/4/29 Checked Approved
HOLES: ±0.05 ANGLES: ±0.5°		Material	半成品