



**System Design,
Integration
& Supply**

ENGINEERING SMART SOLUTIONS
FOR A SUSTAINABLE FUTURE

Mi[®]
BATTERY ENGINEERING



The MI advantage:

Access to globally renowned brands with Australia wide stock holding (East & West Coast) for fast dispatch

One stop shop for all components – Panel to Battery

In-house capability to support single components to large system builds

Technical support with a dedicated helpdesk and online access to datasheets, manuals & installation guides

Our Services

From panel to battery, the expansive range of products available from Master Instruments provides a one-stop shop for your solar requirements.

Coupled with strong relationships with the world's most renowned manufacturers, at both product and technical levels, allows us to not only supply products, but also support our clients at all stages of the process with technical design & sizing, simulation and forecasting, and fault diagnosis & remedies.

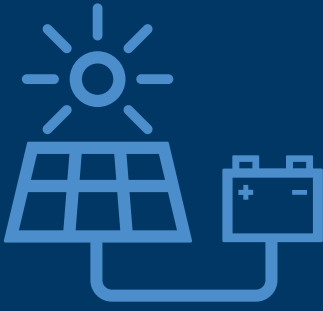
Our strength is our system design & integration capability.

A clear focus on delivering tailored solutions to meet client's performance, service life and budgetary criteria is a key driver behind our success. Integrating both partial and full system components to achieve sustainable outcomes using today's technology to ultimately provide smarter renewable systems into the future.

From small scale systems for 4x4 / recreational use, to large-scale power infrastructure, the MI engineering team is on hand to provide expert advice.

About Master Instruments

Australian owned and operated since 1942, Master Instruments has been at the forefront of battery technology for decades. With expertise in all battery chemistries, system design and integration, our strong focus on delivering innovative and quality energy storage solutions is backed by our vast experience and strong relationships with the world's most renowned manufacturers.



One stop shop for all components
 – Panel to Battery. Capability to support single components to large system builds.

Whatever your system or product requirements may be, the Master Instruments team are here to assist.

PELIO

Next generation home ESS:

Stylish, modular design, expandable from 5.12~102.4kWh. High energy density with small footprint.



World leaders in battery management & power conversion equipment, Victron Energy's commitment to renewable energy development is unparalleled.



Global pioneers in ESS, Pylontech is constantly pushing the boundaries of renewable energy technology for long term future sustainability.

Drypower Batteries

With multiple lead acid & lithium battery products, Drypower's expansive range offers application focused models to ensure long service life.

NOARK

Noark high quality Hybrid Inverters and switch gear products for use in domestic and C&I installations.

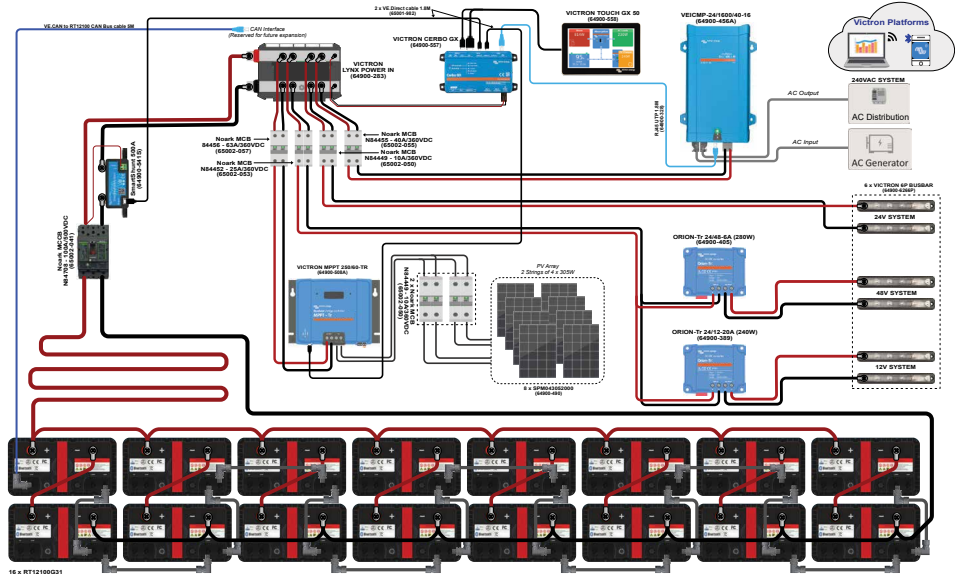


Specialists in high-end battery solutions, MG Energy's innovative products offer smart tailored options to keep you in control and in the know.



Innovative lithium battery solutions, with a focus on safety and performance, to power an array of stationary & mobile applications.

System Design: we can guide you in designing systems of any size to suit your requirements, from basic portable systems to smart, integrated systems with monitoring and remote configuration functionality.



16-8712100001 (63000-100)

NOARK

Single Phase and Three Phase Hybrid Inverters



